



# Hawle Haku PE Pipe Saddle

Specifically designed as a PE mechanical connection solution.  
Suitable for PE pipes of all pressure ratings up to PN 16. DN40-360.



## Applications

Connections to PE pipelines

PVC pipe where outside diameters match

## Product Attributes

Ductile iron epoxy powder coated

Bolts, nuts and washers of stainless steel

The drilled hole is sealed by an O ring

Flanged or BSP outlets

## Approvals/Standards

Approved AS/NZS 4129 fittings  
for polyethylene (PE) pipes for  
pressure applications

WSAA appraised

## Quality

ISO 9001:2008 Quality  
Management System

# Haku Pipe Saddle with Threaded BSP Outlet

The HAKU sealing system is the best method for sealing outlets in PE pipes.

The HAKU seal is in full contact with the entire diameter of the PE (series 1) pipe and is glued into the saddle for ease of assembly. In addition several concentric seals with increasing diameter surround the outlet thus relieving the pressure upon the drill hole and protecting it from deformation.

## Material

- D40: EN-GJL-250 (GG 250) to EN 1561, epoxy powder coated
- D50: 500 EN-GJS-400-18 (GGG 400) to EN 1563 epoxy powder coated
- Rubber seals: Elastomer, suitable for potable water
- Bolts and washers: Stainless steel – A2

TABLE 1

Pipe Ø mm	Internal threaded outlet			
	1"	1¼"	1½"	2"
40	.			
50	.			
63	.	.	.	.
75	.	.	.	.
90	.	.	.	.
110	.	.	.	.
125	.	.	.	.
140	.	.	.	.
160	.	.	.	.
180	.	.	.	.
200	.	.	.	.
225	.	.	.	.
250	.	.	.	.
280	.	.	.	.
280*	.	.	.	.
315	.	.	.	.
315*	.	.	.	.
400*	.	.	.	.
450*	.	.	.	.
500*	.	.	.	.

**Note:** \*supplied as saddle piece with strap.

**Caution:** When being used on PE pipes, this type is suitable on class SDR 11 and higher qualities, only

Watermark appraised



FIG. 1



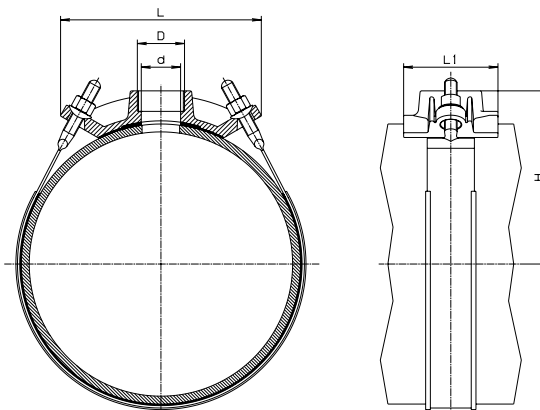
FIG. 2

**TABLE 2**

Pipe Ø (mm)	D ISO 228	d Ø	H	L	L 1	Weight (kg)
40	1"	27	42	98	70	0.95
50	1"	27	56	110	80	1.20
63	1"	27	57	124	100	1.80
	1¼"	33	62			2.00
	1½"	40	62			1.90
	2"	40+	68			2.10
75	1"	27	63	135	110	2.15
	1¼"	33	68			2.25
	1½"	40	68			2.20
	2"	50	73			2.30
90	1"	27	71	150	110	2.60
	1¼"	33	75			2.70
	1½"	40	75			2.60
	2"	50	80			2.70
110	1"	27	81	170	120	3.60
	1¼"	33	85			3.60
	1½"	40	85			3.80
	2"	50	90			3.60
125	1"	27	87	192	120	3.70
	1¼"	33	93			3.70
	1½"	40	93			4.15
	2"	50	98			4.10
140	1"	27	96	208	120	4.40
	1¼"	33	100			4.30
	1½"	40	100			4.60
	2"	50	106			4.50
160	1"	27	106	230	120	5.90
	1¼"	33	111			6.10
	1½"	40	111			6.30
	2"	50	116			6.20
180	1"	27	125	262	120	8.00
	1¼"	33	125			8.00
	1½"	40	127			8.10
	2"	50	127			8.10
200	1"	30	132	282	120	8.10
	1¼"	33	132			7.80
	1½"	40	137			8.30
	2"	50	137			8.10
225	1"	27	143	310	120	9.10
	1¼"	33	145			9.40
	1½"	40	145			9.70
	2"	50	150			9.60
250	1"	27	156	347	180	11.00
	1¼"	33	156			11.30
	1½"	40	163			11.50
	2"	50	163			12.00
280	1"*	27	176	204	120	3.80
	1¼"*	38	176			3.60
	1½"*	44	176			3.60
	2"*	50	176			3.30
	2"	51	178	377	180	14.20
315	1¼"*	38	196	-	-	3.80
	1½"*	44	196			3.75
	2"*	50	196			3.55
	2"	51	196	408	180	16.70

**TABLE 2**

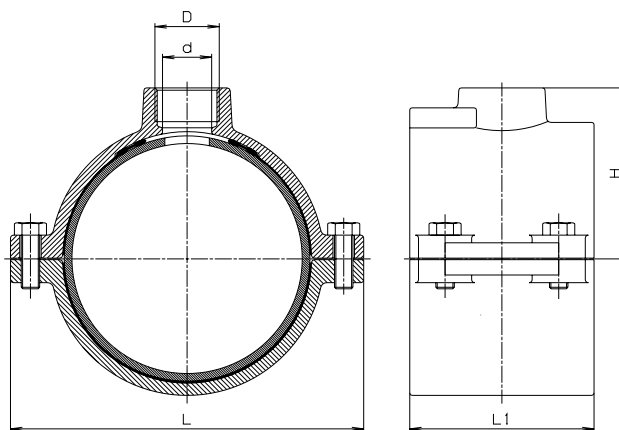
Pipe Ø (mm)	D ISO 228	d Ø	H	L	L 1	Weight (kg)
400	1½"*	40	243	270	120	4.90
	2"*	50	243			4.90
450	1½"*	40	268	235	120	4.60
	2"*	50	268			4.60
500	1½"*	40	292	255	120	4.90
	2"*	50	292			4.90



**FIG. 3**

**Note:** \* Pipe Ø mm 280 – 500 (supplied as saddle piece with strap)  
**Caution:** When being used on PE pipes, this type is suitable on class SDR 11 and higher qualities, only

Pipe Ø mm 40 – 315



**FIG. 4**

+ max. 35 mm drill tips

# Haku Pipe Saddle with Flanged Outlets

For PE pipes of all pressure ratings up to PN 16 for cold water. Other applications on request.

Watermark appraised



## Features

- Solid construction of ductile, iron epoxy powder coated
- Bolts, nuts and washers of stainless steel
- The drilled hole is sealed by an O ring inserted in the upper part of saddle (d 630, 2 O rings)
- The rubber linings are bonded to the lower part of saddle – this ensures positive positioning of saddle (only d 110-315)

## Material

- Saddle body:
  - Ductile iron EN-GJS-400-18 according to EN 1563 (GGG 400 – DIN 1693)
  - Epoxy powder coated
- Rubber-in the lower part:
  - Elastomer
- O ring seal-in the bonnet:
  - Elastomer, (suitable for potable water)
- Bolts, Nuts and Washers:
  - Stainless steel – A2
- Nuts:
  - Molybdenum coated



FIG. 5

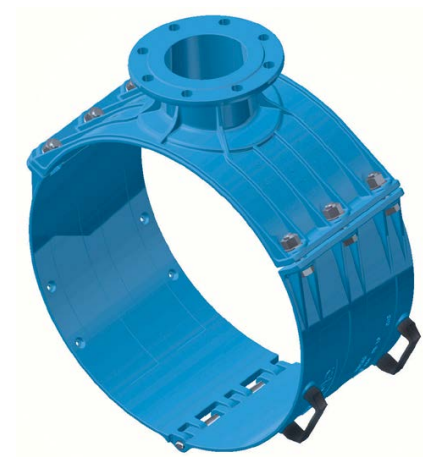


FIG. 6

TABLE 3

Flange Size	Dimensions									
	110	140	160	180	200	225	250	280	315	630
80	.	.	.	.	.	.	.	.	.	.
100	.	.	.	.	.	.	.	.	.	.
150	.	.	.	.	.	.	.	.	.	.

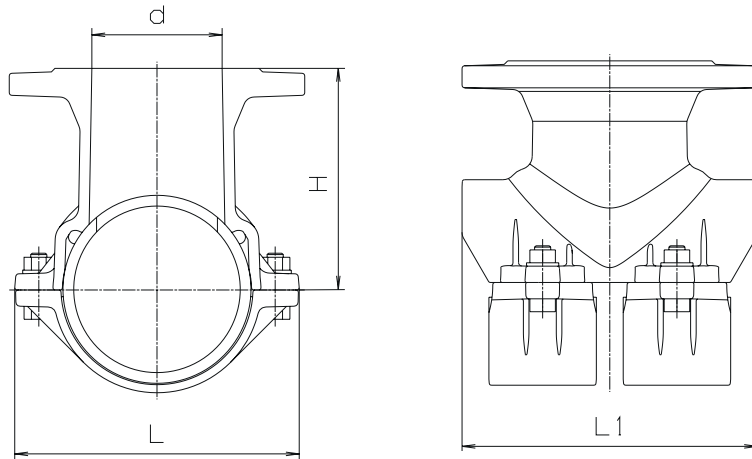


FIG. 7

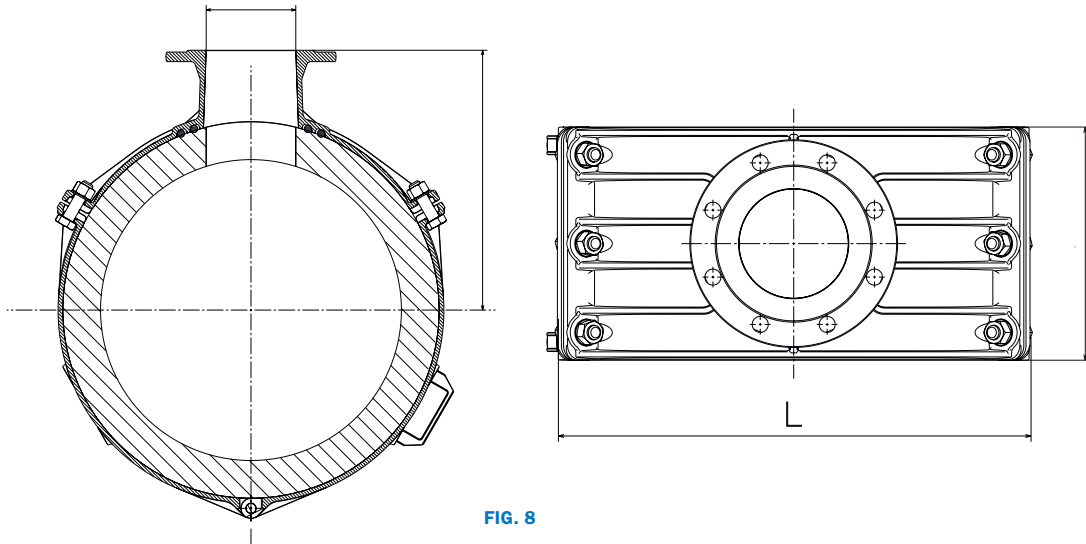


FIG. 8

TABLE 4

Pipe Ø (mm)	Flange DN	d Ø	H	L	L 1	Weight (kg)
110	80	80	150	182	180	8.30
140	80	80	166	212	220	10.2
	100	100	166	212	220	10.9
160	80	80	176	234	220	10.1
	100	100	176	234	220	11.0
180	80	80	186	254	220	9.0
	100	100	186	254	220	12.2
200	80	80	191	270	220	11.8
	100	100	191	270	220	13.8
225	80	80	206	301	220	14.0
	100	100	206	301	220	16.0
250	80	80	221	347	220	14.7
280	150	150	239	374	285	21.0
315	80	80	255	410	285	20.0
315	150	150	257	409	285	24.5
630	150	150	435	649	320	55.0

**TABLE 5** Haku Part Numbers

<b>Part Number</b>	<b>Description</b>
TS4025BSPF-C	Tapping Saddle 40 PE × 25 mm BSP
TS5025BSPF-C	Tapping Saddle 50 PE × 25 mm BSP
TS6325BSPF-C	Tapping Saddle 63 PE × 25 mm BSP
TS6350BSPF-C	Tapping Saddle 63 PE × 50 mm BSP
TS7525BSPF-C	Tapping Saddle 75 PE × 25 mm BSP
TS7550BSPF-C	Tapping Saddle 75 PE × 50 mm BSP
TS9025BSPF-C	Tapping Saddle 90 PE × 25 mm BSP
TS9050BSPF-C	Tapping Saddle 90 PE × 50 mm BSP
TS11020BSPF-C	Tapping Saddle 110 PE × 20 mm BSP
TS11025BSPF-C	Tapping Saddle 110 PE × 25 mm BSP
TS11050BSPF-C	Tapping Saddle 110 PE × 50 mm BSP
TS12525BSPF-C	Tapping Saddle 125 PE × 25 mm BSP
TS12550BSPF-C	Tapping Saddle 125 PE × 50 mm BSP
TS14025BSPF-C	Tapping Saddle 140 PE × 25 mm BSP
TS14050BSPF-C	Tapping Saddle 140 PE × 50 mm BSP
TS16025BSPF-C	Tapping Saddle 160 PE × 25 mm BSP
TS16050BSPF-C	Tapping Saddle 160 PE × 50 mm BSP
TS18025BSPF-C	Tapping Saddle 180 PE × 25 mm BSP
TS18050BSPF-C	Tapping Saddle 180 PE × 50 mm BSP
TS20025BSPF-C	Tapping Saddle 200 PE × 25 mm BSP
TS20050BSPF-C	Tapping Saddle 200 PE × 50 mm BSP
TS22525BSPF-C	Tapping Saddle 225 PE × 25 mm BSP
TS22550BSPF-C	Tapping Saddle 225 PE × 50 mm BSP
TS25025BSPF-C	Tapping Saddle 250 PE × 25 mm BSP
TS25025STBSPF-C	Tapping Saddle 250 PE × 25 mm BSP, Strapped Style
TS25050BSPF-C	Tapping Saddle 250 PE × 50 mm BSP
TS25050STBSPF-C	Tapping Saddle 250 PE × 50 mm BSP, Strapped Style
TS28025STBSPF-C	Tapping Saddle 280 PE × 25 mm BSP, Strapped Style
TS28050BSPF-C	Tapping Saddle 280 PE × 50 mm BSP
TS28050STBSPF-C	Tapping Saddle 280 PE × 50 mm BSP, Strapped Style
TS31525STBSPF-C	Tapping Saddle 315 PE × 25 mm BSP, Strapped Style
TS31550BSPF-C	Tapping Saddle 315 PE × 50 mm BSP
TS31550STBSPF-C	Tapping Saddle 315 PE × 50 mm BSP, Strapped Style
TS35550STBSPF-C	Tapping Saddle 355 PE × 50 mm BSP, Strapped Style
TS40050STBSPF-C	Tapping Saddle 400 PE × 50 mm BSP, Strapped Style
TS45050STBSPF-C	Tapping Saddle 450 PE × 50 mm BSP, Strapped Style
TS50050STBSPF-C	Tapping Saddle 500 PE × 50 mm BSP, Strapped Style



**DISCLAIMER** While every effort has been made to ensure that the information in this document is correct and accurate, users of Hygrade provided product or information within this document must make their own assessment of suitability for their particular application. Product dimensions are nominal only, and should be verified if critical to a particular installation. No warranty is either expressed, implied, or statutory made by Hygrade Products Ltd unless expressly stated in any sale and purchase agreement entered into between Hygrade and the user.