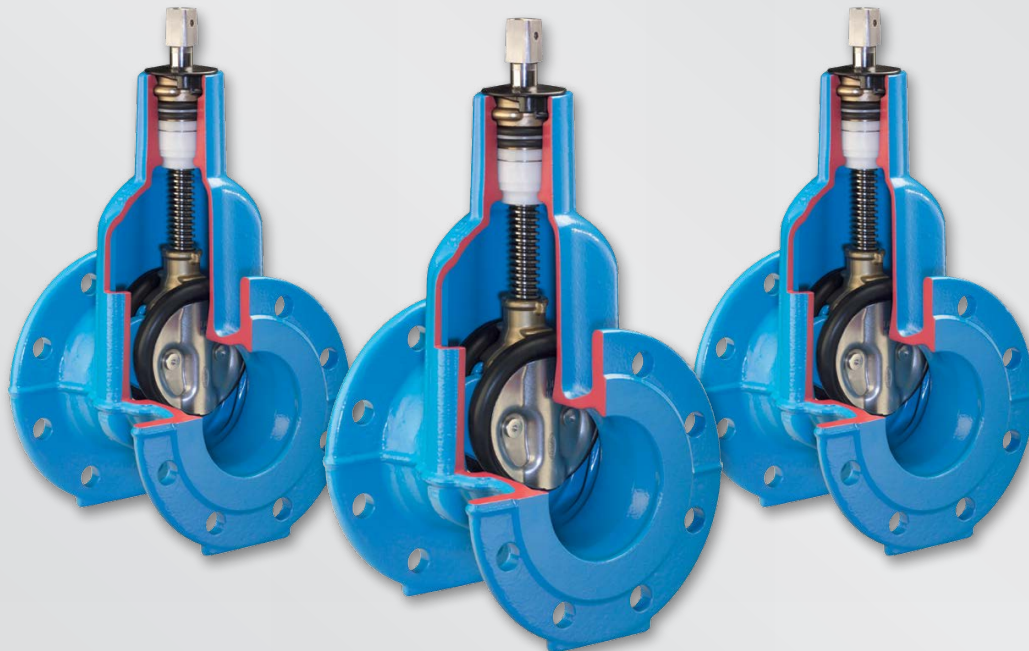


Hawle A-Valve with Flanged Ends

A revolution in valve technology, the Hawle A-Valve is the world's first mono-design body, resilient seated shut-off valve.



Applications

- Water and wastewater
- Pump stations
- Irrigation
- Reticulation and water supply maintenance

Product Attributes

- Resilient seat wedge
- Low operating torques
- Unique mono-design body
- Reduced overall weight
- Easy installation

Approvals/Standards

- AS/NZS 4158 coating, AS/NZS 4020:2005
- Flange drilled in accordance with AS4087
- EN 1074-2:2000

Quality

- WSAA Appraised A rating
- ISO 9001:2008 Quality Management

A revolution in valve technology, the Hawle A-Valve is the world's first mono-design body, resilient seated shut-off valve.

Design Specifications

- Valve body is ductile iron and 100% coated by GSK epoxy powder.
- Stainless steel spindle and ductile iron wedge with two sealing rubber gaskets.
- The valve wedge and sealing geometry, as well as the special wedge guide, ensure low closing torques in every situation.
- No screwed-on bonnet (the spindle bearing is fixed in the housing by bayonet lock), allows for 100% coating coverage of the valve body.
- Flanged configuration allows for connection to new or existing pipelines with flange adaptors or directly to other flanged fittings.
- Suitable for an operating pressure up to 16 bar.

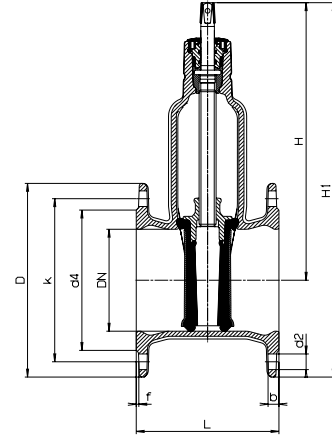


FIG. 2

Accessories

- Actuator adaptors
- Operating caps
- Handwheels
- Position switches and indicator



FIG. 1 Accessories

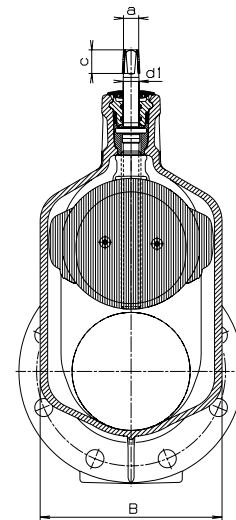


FIG. 3

TABLE 1

DN	Flange					Bolts			Valve				Spindle			Weight kg
	D	b	k	d4	f	Qty	Thread	d2	H	H1	L	B	a	c	d1	
80	200	16	146	133	4	4	M16	19	286	386	180	136	17,3	30	20	10.5
100	220	16	178	153	4	4	M16	19	317	427	190	158	19,3	30	20	15.0
150	285	16	235	207	4	8	M16	19	409	552	210	231	19,3	30	20	26.5
200	340	17	292	264	4	8	M16	19	509	679	230	282	24,3	38	25	41.0

DISCLAIMER While every effort has been made to ensure that the information in this document is correct and accurate, users of Hygrade provided product or information within this document must make their own assessment of suitability for their particular application. Product dimensions are nominal only, and should be verified if critical to a particular installation. No warranty is either expressed, implied, or statutory made by Hygrade Products Ltd unless expressly stated in any sale and purchase agreement entered into between Hygrade and the user.