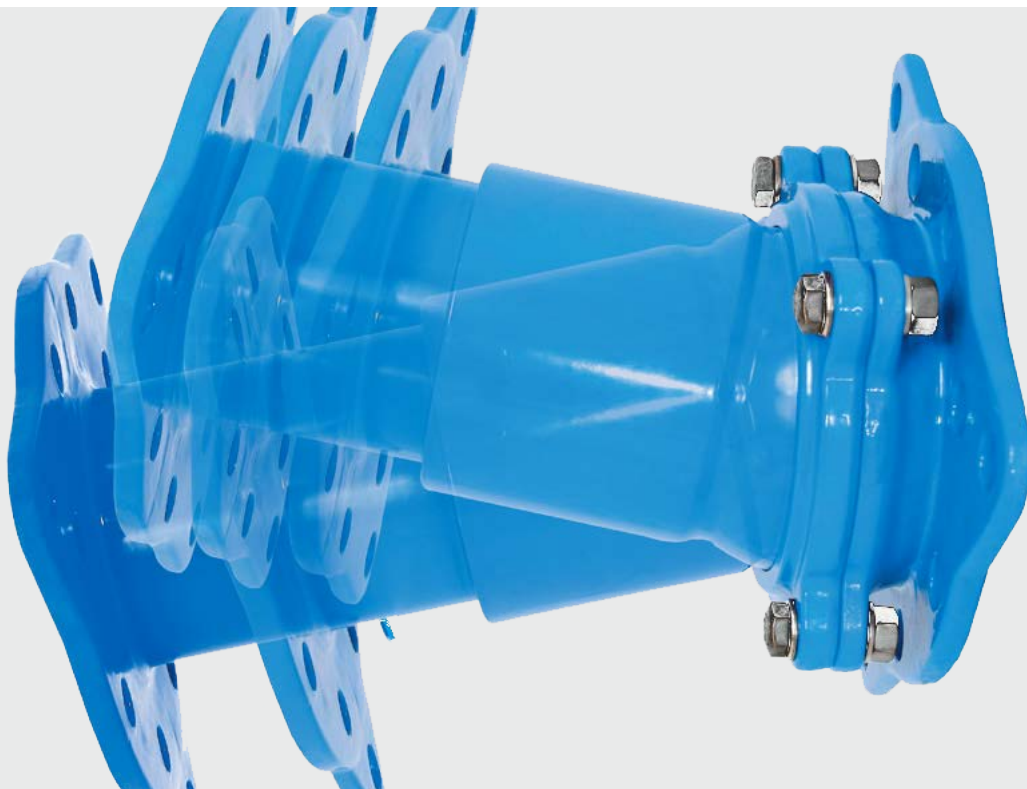


# Hawle-Vario Flanged Telescopic Fitting

A flanged telescopic fitting with integral ball and socket joint that allows for adjustable length and installation deflection up to 10 degrees.



## Applications

Potable and wastewater pipelines  
Water main renewals  
Pipe misalignment  
Dismantling point

## Product Attributes

Adjustable flange to flange length  
Available in short and long versions  
Allows for deflection up to 10°  
Quick and easy installation

## Quality

ISO 9001:2008 Quality  
Management Standard

A flanged telescopic fitting with integral ball and socket joint that allows for adjustable length and installation deflection up to 10 degrees.

### Design Specifications

- All components made of ductile iron and coated by GSK epoxy powder inside and out
- Tension lock assembly and locking ring are stainless steel
- Suitable for an operating pressure up to 16 bar
- Adjustable length via a telescopic mechanism:
  - For DN100 short version, flange to flange length adjustment of 150 to 216mm
  - For DN100 long version, flange to flange length adjustment of 216 to 350mm
- Once installed, tension bolts lock the HAWLE-VARIO at the desired length
- Locking bars prevent further movement once installed

### Applications

- Connecting pipelines where alignment or spacing between flanges prevent the use of normal techniques
- As a dismantling joint where future work may require removal and re-installation of inline components

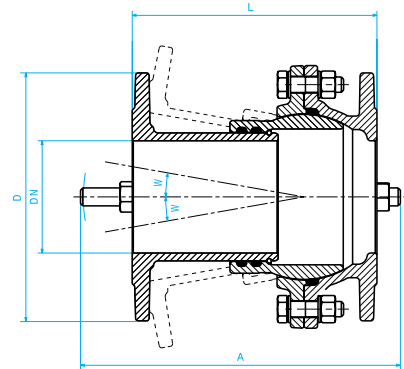


FIG. 1

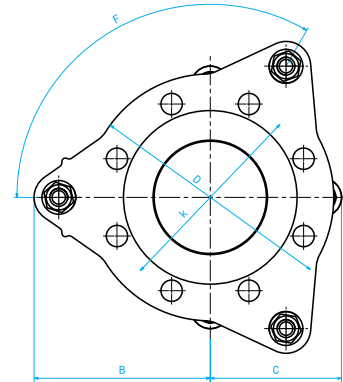


FIG. 2

TABLE 1

DN	Version	PN	Adjusting range L in mm	A	B	C	D	F	k	Angle W	Weight / kg
50	Short	16	150-207	285	212	87	165	3x120°	125	0-10°	8,9
	Long		207-323	415							10,2
80	Short		150-214	285	247	107	200	3x120°	160	0-10°	12,9
	Long		214-344	415							15,2
100	Short		150-216	285	267	117	220	3x120°	180	0-10°	14,8
	Long		216-350	415							17,3
150	Short		175-250	330	380	190	285	4x90°	240	0-10°	25,4
	Long		250-408	480							29,3
200	Short		195-292	360	229	229	340	4x90°	297	0-8°	48,0
	Long		280-462	530							52,0
	Short	10	195-292	360							48,0
	Long		280-462	530							52,0

**DISCLAIMER** While every effort has been made to ensure that the information in this document is correct and accurate, users of Hygrade provided product or information within this document must make their own assessment of suitability for their particular application. Product dimensions are nominal only, and should be verified if critical to a particular installation. No warranty is either expressed, implied, or statutory made by Hygrade Products Ltd unless expressly stated in any sale and purchase agreement entered into between Hygrade and the user.