



# Ductile Iron Socket Bends

Ductile Iron Socket Fittings for Series 1 and Series 2 PVC Pipe



## Applications

Potable water and wastewater pipelines

Water reticulation and irrigation

Water supply maintenance

Subdivisions

Pump stations

## Product Attributes

High strength ductile iron construction

Bureau Veritas S Mark accredited

Plascoat coated

Installed above and below ground

## Approvals/Standards

Approved to AS/NZ 2280 Standard

Coating complies with AS/NZS 4158 & 4020 (WSAA Product Appraisal 05/12)

## Quality

ISO 9001:2008 Quality Management Standard

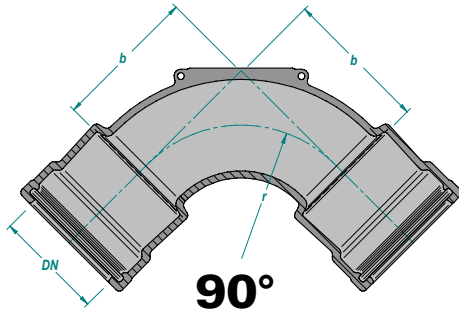
The Gillies range of ductile iron socket fittings are manufactured to the highest industry standards and have a proven performance record in New Zealand.

### Design Specification

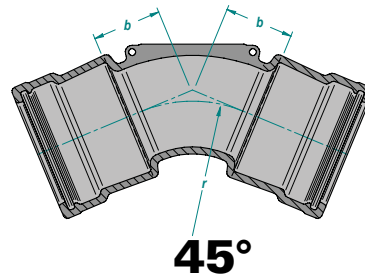
- Standard sizes available from 80 – 600mm. Larger sizes available
- Operating pressure up to 1600kPa as standard. Higher pressures available.
- Maximum deflection 3.5°
- Suitable for in-ground and above ground applications
- All fittings have a plascoat coating for superior protection

**TABLE 1**

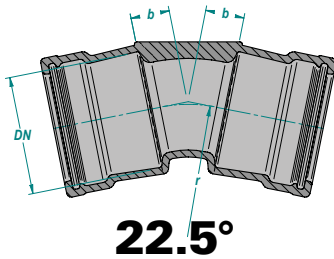
Nominal Size (DN)	r (mm)	b (mm)			
		Angle of bend (degrees)			
		90	45	22½	11¼
100	152	165	80	45	30
150	190	205	95	55	35
200	203	220	100	55	35
225	229	250	115	65	45
250	254	275	125	70	45
300	305	325	145	80	50
375	381	405	185	100	65
450	457	480	215	115	70
500	508	535	235	125	75
600	610	635	280	145	85



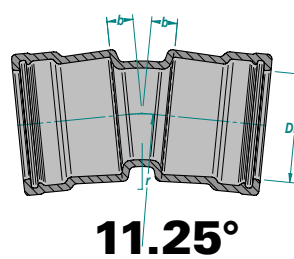
**FIG. 1**



**FIG. 2**



**FIG. 3**



**FIG. 4**

**DISCLAIMER** While every effort has been made to ensure that the information in this document is correct and accurate, users of Hygrade provided product or information within this document must make their own assessment of suitability for their particular application. Product dimensions are nominal only, and should be verified if critical to a particular installation. No warranty is either expressed, implied, or statutory made by Hygrade Products Ltd unless expressly stated in any sale and purchase agreement entered into between Hygrade and the user.